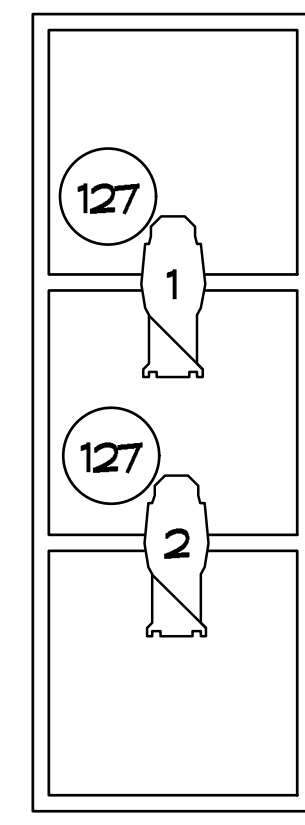
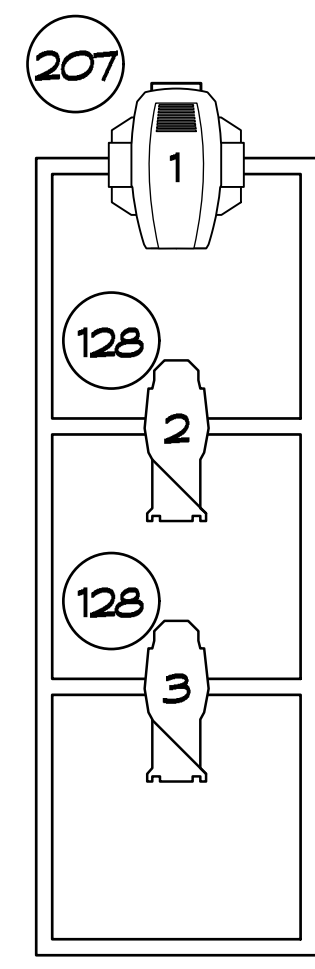


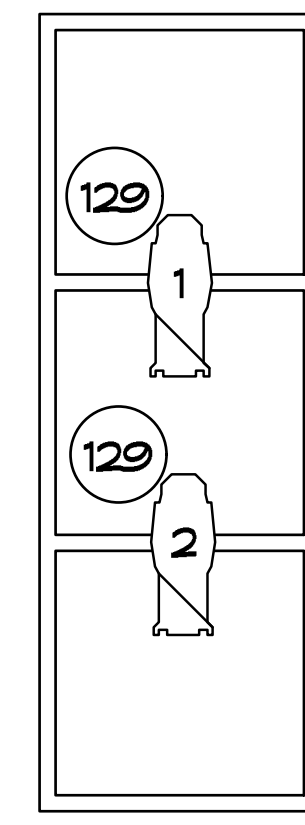
#1 SR LADDER



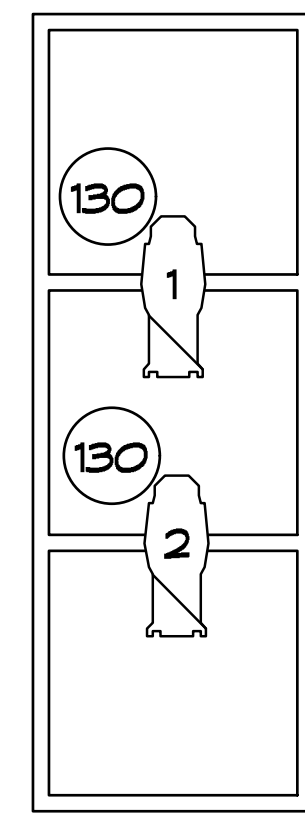
#2 SR LADDER



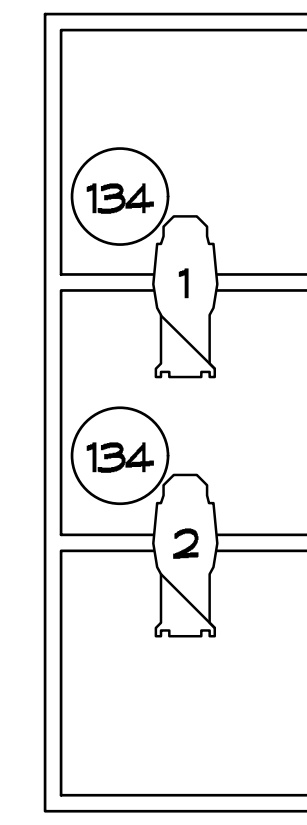
#3 SR LADDER



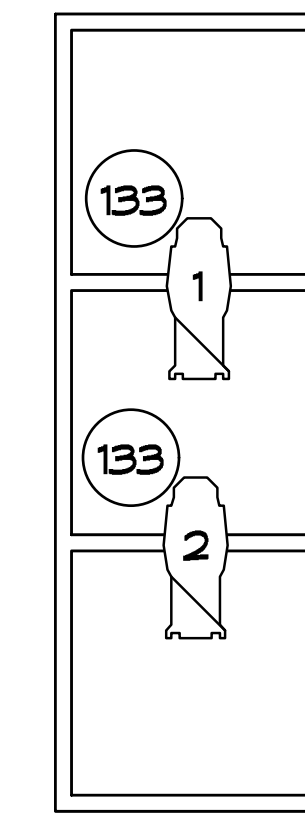
#4 SR LADDER



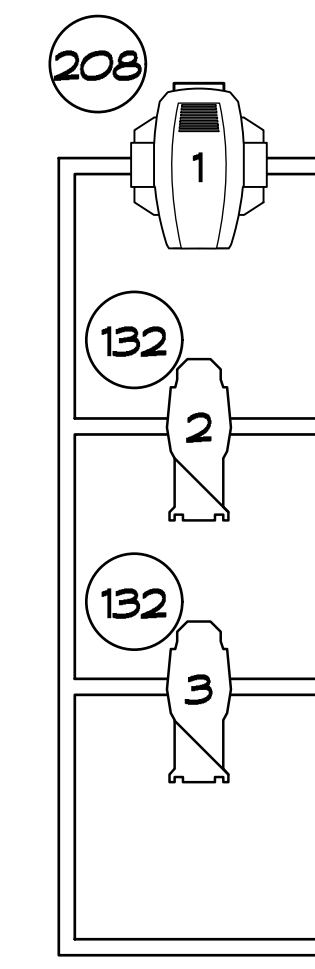
#4 SL LADDER



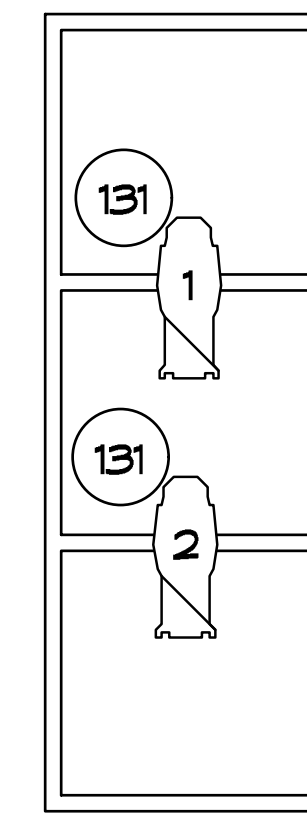
#3 SL LADDER



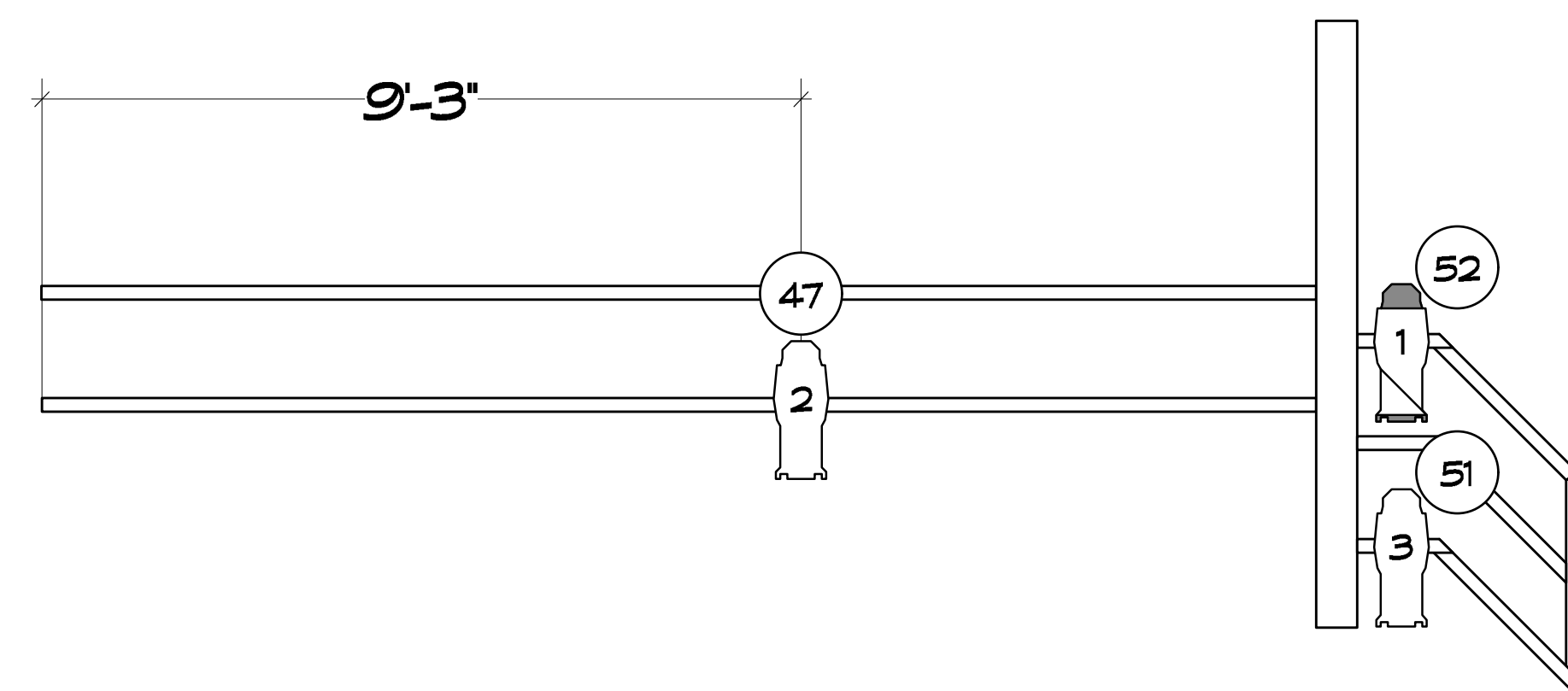
#2 SL LADDER



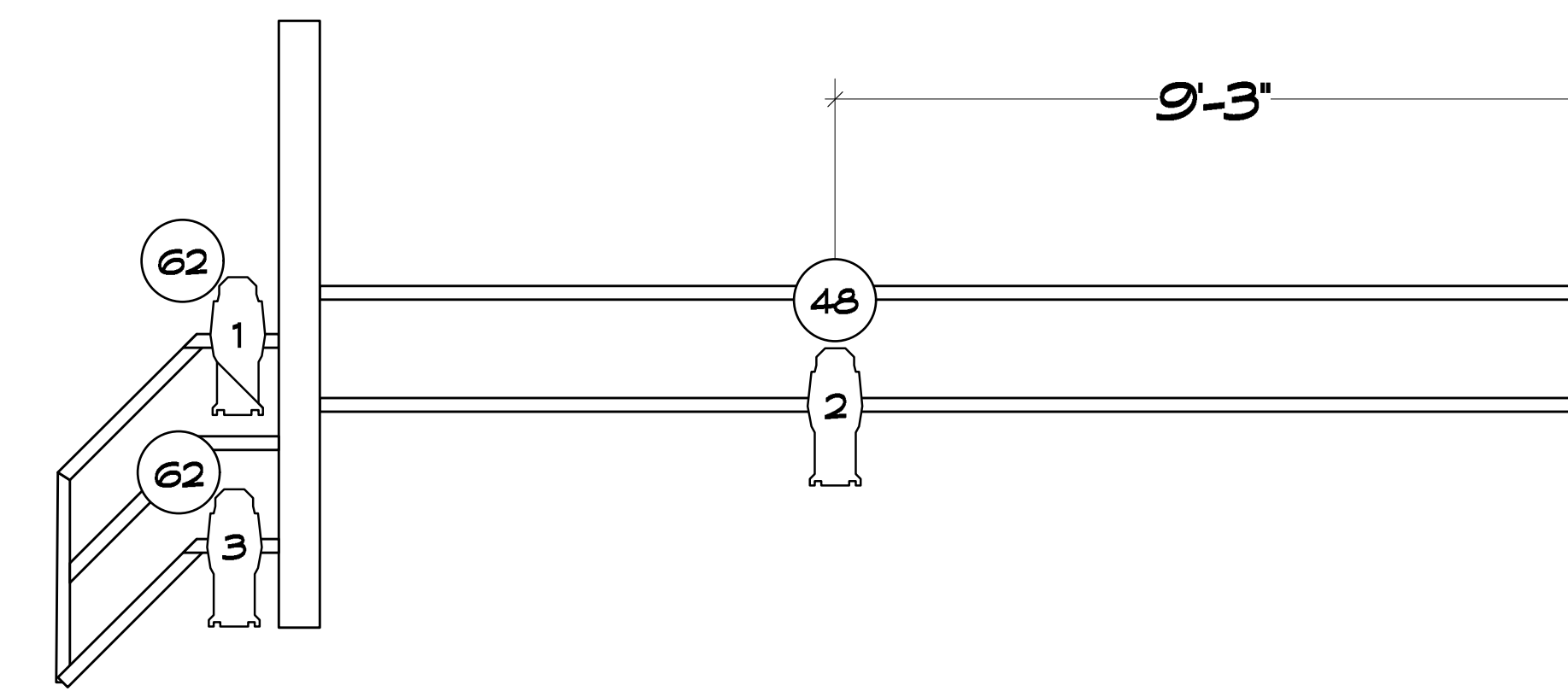
#1 SL LADDER



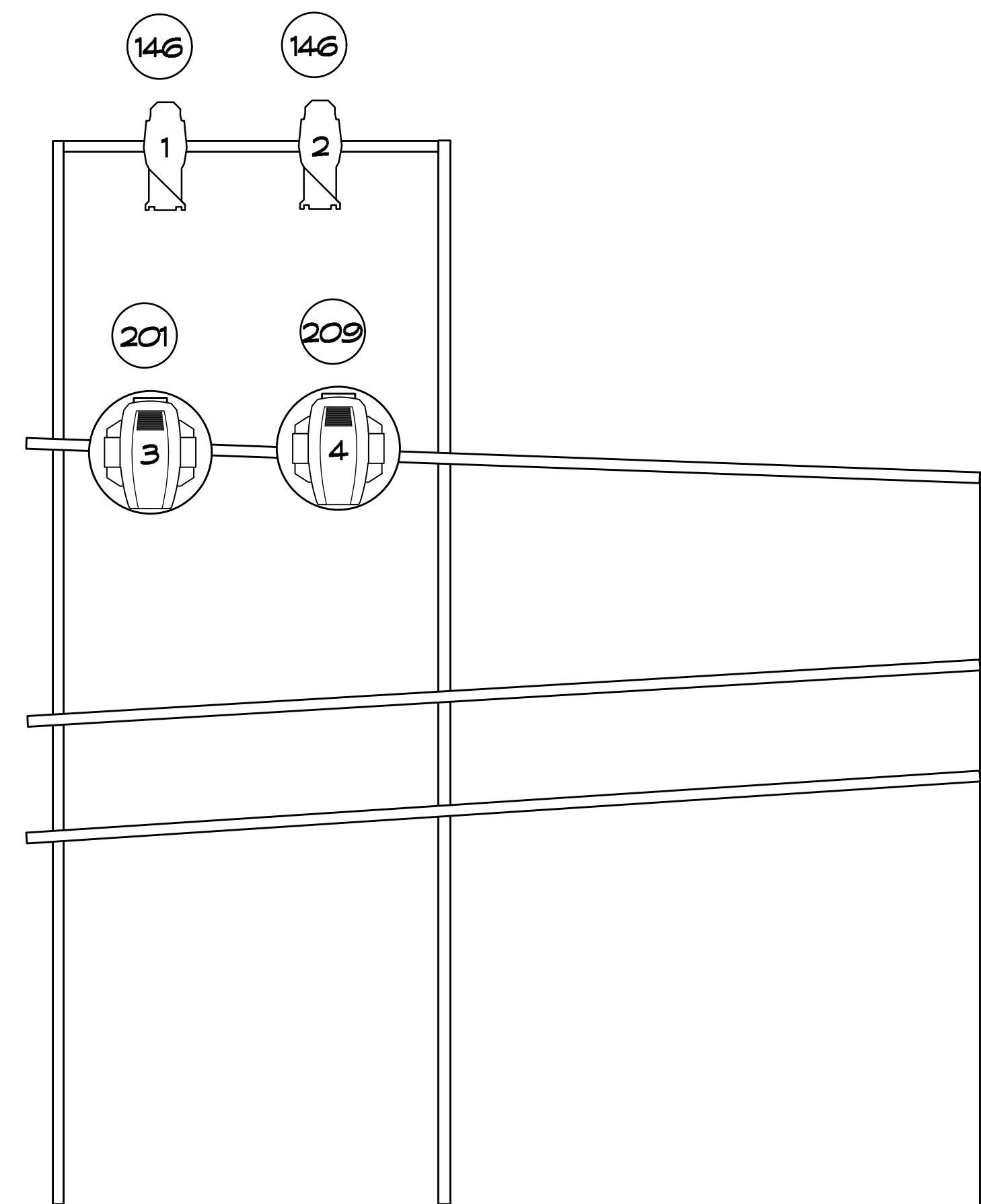
HL SIDE RAIL



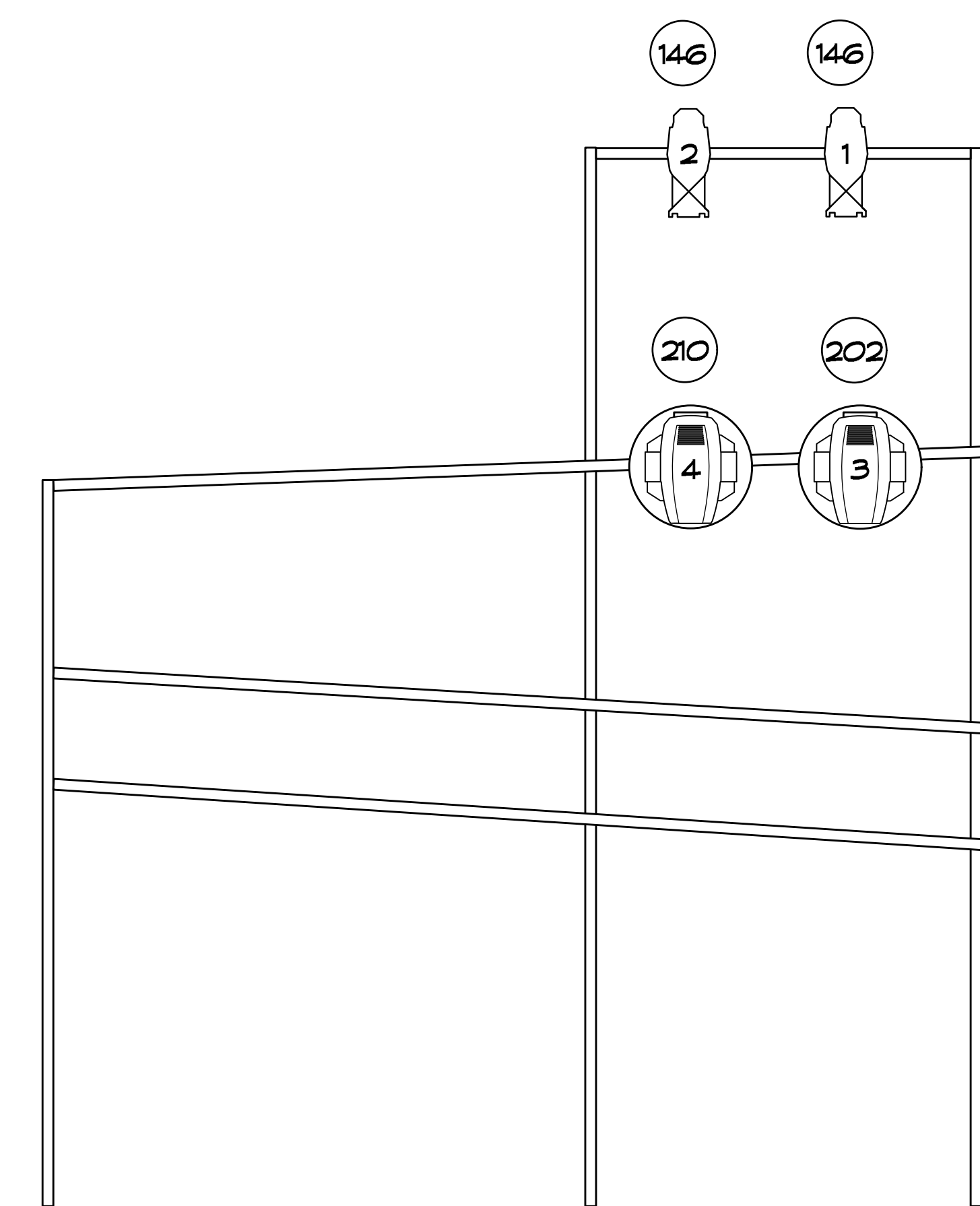
HR SIDE RAIL



HL CHEEK



HR CHEEK



VERTICALS

NOTES

- ALL UNITS HANG ON 1'-6" CENTERS UNLESS OTHERWISE NOTED.
- DISCUSS ALL UNITS MOUNTED ON SCENERY.
- NOTE CLEARANCE FOR ALL AUTOMATED UNITS.
- ALL ELECTRIC TRIMS ARE TAKEN FROM SHOW DECK TO BOTTOM OF FIXTURES.
- ALL BORDER TRIMS ARE FROM SHOW DECK TO BOTTOM OF GOODS.
- ALL TRIMS ARE SUBJECT TO CHANGE IN THE THEATER.

KEY

STRAND 19deg ERS @575w

STRAND 26deg ERS @575w

ETC 26deg ERS @750w

STRAND 36deg ERS @575w

STRAND 8' FRESNELITE @2kw

ETC S4 PAR (WFL) @575w

ADJ LED PAR 64 @30w

ALTMAN PAR 56 STRIP @500w

ELATION SATURA PROFILE EXTENDED @500w

LEGEND

UNIT #

CHANNEL #

BARNDOOR

THIS DRAWING REPRESENTS VISUAL CONCEPTS AND CONSTRUCTION SUGGESTIONS ONLY.

IT DOES NOT REPLACE THE KNOWLEDGE AND ADVICE OF A LICENSED STRUCTURAL ENGINEER. THE DESIGNER IS UNQUALIFIED TO DETERMINE THE STRUCTURAL OR ELECTRICAL APPROPRIATENESS OF THIS DESIGN, AND WILL NOT ASSUME RESPONSIBILITY FOR IMPROPER ENGINEERING, CONSTRUCTION, HANDLING, OR USE OF EQUIPMENT.

ALL MATERIALS AND CONSTRUCTION MUST COMPLY WITH THE MOST STRINGENT APPLICABLE FEDERAL AND LOCAL FIRE SAFETY, ENERGY, AND ENVIRONMENTAL CODES.

JOAN B. KROC THEATRE
6611 University Ave,
San Diego, CA 92115



(619)269-1563
Jason.McIntyre@usw.salvationarmy.org

DRAWING UPDATES

VER	DATE	DESCRIPTION
1	05/29/2021	PACKAGE CREATED
2		
3		
4		

LIGHTING DESIGNER: TRAVIS RUSSELL
TECHNICAL MANAGER: JASON MCINTYRE
DRAFTSMAN: HANNAH BEERFAS

HANNAH BEERFAS
DESIGN / MANAGEMENT / DRAFTING
(650)997-5636
hannah.beerfas@gmail.com
hannahbeerfas.com

SCALE: 1/2"=1'-0" except where noted

DATE: 05/29/2021

DRAWN BY: HB

4
of 5